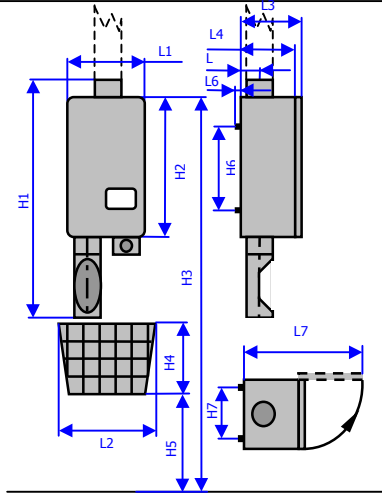


EWS-Station - AC 1000 / 3000

- 110
- 160
- 200



	L1	L2	L3	L4	L5	L6	L7	H1	H2	H3	H4	H5	H6	H7	
OD 110	312	480	272	242	85	15	555	1000	650	1800	300	442	390	250	mm
OD 160	500	475	410	390	140	15	895	1075	900	2100	500	460	600	420	mm
OD 200	603	480	632	603	301	4	1202	1815	1184	2500	500	0	890	530	mm

Use:

The EWS-station (EWS=Endstation after diverter) is generally used as endstation. It is only allowed to connect the tube above the station. The tube connection can be found at the top of the station.

Send:

A carrier can be stored in the storage funnel below the station. The EWS-station sends a stored carrier automatically to the desired destination.

Receive:

Carriers arrive gently on an air cushion and are deposited in a sound proofed receptacle.

Easy of use:

	AC 1000	AC 3000
• The open storage facility is situated below the station.	√	√
• A carrier can be stored at any time, independent of the state of operation of the system!	anytime	anytime
• Display indicates destinations	√	√
• Display indicates users and special functions in clear text (2-lines, each 24-digits)		√
• By a scroll function of the station-keyboard all users easily can be found.		√
• The ergonomically designed station-keyboard is protected against dust and dirt by a telephone-type membrane key pad.	√	√
• 3 LEDs in the operation panel show the state of operation	√	√
• Number of arrival signals, this means that several users have access to the station, each of them gets it's own signal	5	16
<u>AC 1000:</u> On demand the number of arrival signals can be extended up to 10.	√	
• Several destination numbers can be assigned to one signal and several signals can be assigned to one destination. (Software-controlled).	√	√
• Follow me function in case of absence, also temporary available		√
• Special functions, like priority or slow transport can be assigned either to the station or to the destination number		√
• Repetition control for several carriers to the same destination, optionally fix programmed or variable	√	√
• Destination numbers up to 5-digits	2 to 4	2 to 5

Technique:

- Station is airtight. An integrated bypass achieves the silent receive of arriving carriers. This is very important for the transport of heavy weights or sensitive goods
- Carriers are deposited in a sound proofed receptacle
- For security transports: Carrier can only be removed from the station, when a security code is entered
- An integrated service switch allows extensive function tests at the station; direct feed back in the display

© by Aerocom – Technical alterations reserved.

EWS-Station - AC 1000 / 3000



← Operating unit
AC 1000

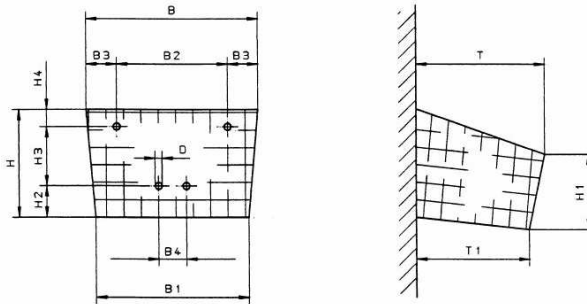


Operating unit
AC 3000 →

Quality:

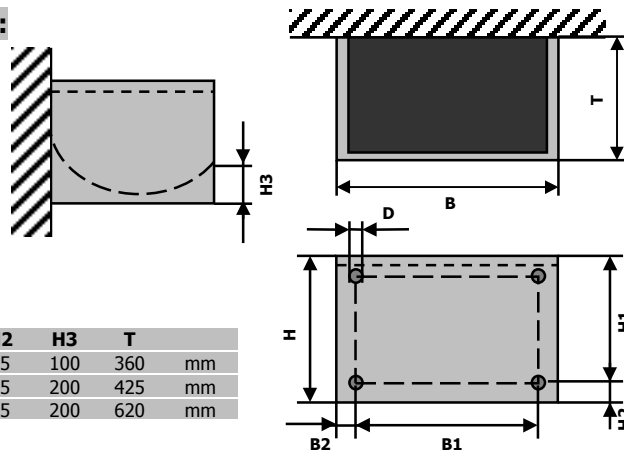
- Driven by a noiseless transmitted, maintenance-free cog belt, through this the S-tube can be exactly adjusted
- Steel box with swivel door, made of Polystyron , colour RAL 7035
- Proximity switches
- Electronically, software-controlled motor driver
- Industrial grade, heavy duty motor
- Rotation by roller bearings
- Maintenance-free Teflon®-Sealings
- Integrated in the swivel door are operation panel, keyboard, display and electronic controls
- Electronic microprocessor controls (maintenance-free)

Accessories: Receiving baskets (lattice):



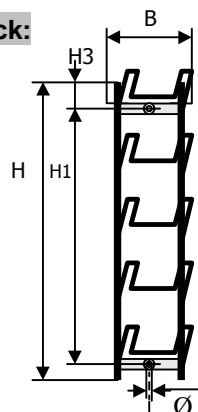
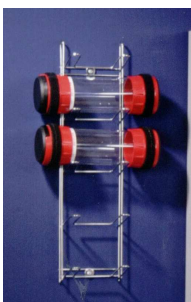
Art.No.		D	B	B1	B2	B3	B4	H	H1	H2	H3	H4	T	T1	
290 017	lacquered	8,5	485	427	350	67,5	50	296	226	60	206	30	379	339	mm
290 022	chromed														

Accessories: Receiving baskets (steel):



Art.No.	D	B	B1	B2	H	H1	H2	H3	T	
290 031	10	473	433	20	250	205	25	100	360	mm
290 057	10	473	433	20	500	450	25	200	425	mm
290 063	10	500	450	34	500	450	25	200	620	mm

Accessories: Carrier rack:



Art.No.		Ø	B	H	H1	H3	
290 091	Lacquered	5,5	144	576	485	70	mm
290 092	chromed						