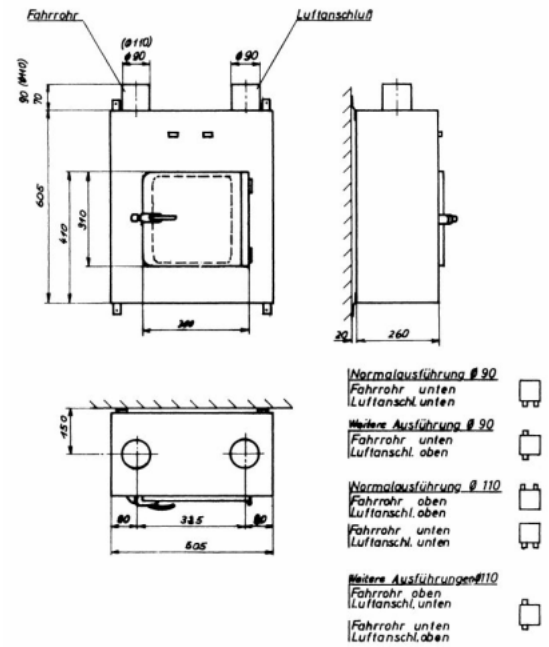


Door station



Use:

As initial- or end-station.

Send:

If a carrier departs to below, the user can insert it into a sending funnel. If a carrier departs to the top, the user can hang it into a sending funnel. After closing a station door and pressing a start-button, the carrier will be transported to its destination.

Receive:

An arriving carrier drives into the station and remains there for removal.

Easy of use/ Technique/ Quality

- Transparent acrylic door
- Door handle with safety lock (lockable on request)
- Inside coated sound-dampened
- Built-in send-button with function indication
- Tube- and blower-connection can be selected from top or from below
- Special type for both-sided operation, especially suitable for wall installation
- Arriving carriers operate a tube switch, which disconnects the sending process