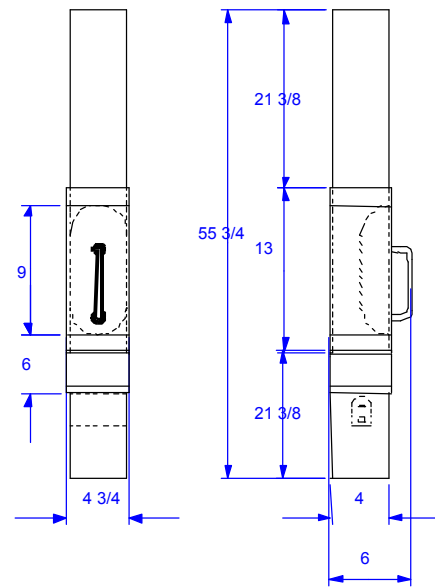


Slide Sleeve Station



Use:

As initial- or end station, Tube approaching from top.

Dispatch:

Open slide sleeve and insert the carrier into the send-opening. By pressing a button it will be transported to it's destination.

Receive:

An arriving carrier remains in the station and can be removed by opening the slide sleeve.

Easy of Use/Quality/ Technique:

- PVC-tube in RAL 7000 or transparent. Special types in V2 A or aluminium available
- Transparent slide sleeve for the control of an arriving carrier
- Separate send-button with operation indication
- Tube connection always to above
- An external bypass generates a soft arrival of the carrier
- The arriving carrier operates a tube switch, which is disconnecting the system
- Depending to the length of the external bypass, several arriving carriers can be stored one above the other without problems
- Attention: For tube diameter >6" an electromagnetic locking must be used for security reason

aerocom

Aerocom Systems, Inc.
5322 Rafe banks Drv. Ste. B
Flowery Branch, GA. 30542
USA

Phone (678) 513-9660
Fax (770) 965-8456

info@aerocomusa.com
www.aerocomusa.com