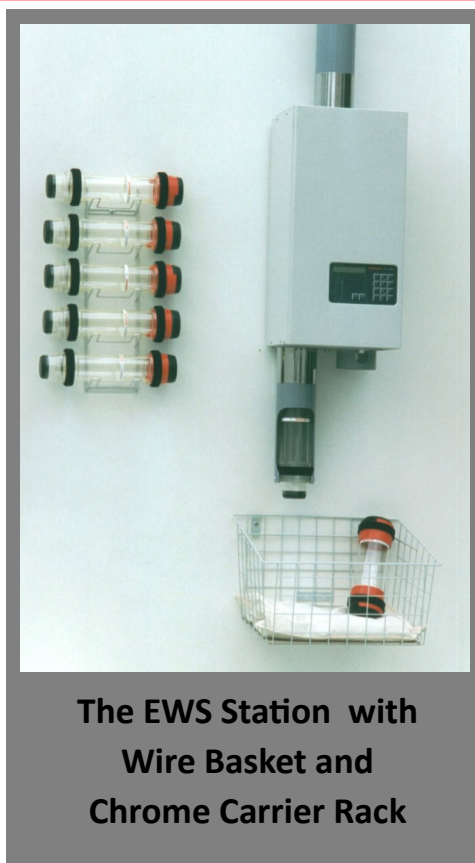


Aerocom's EWS Station

4"



The EWS Station with Wire Basket and Chrome Carrier Rack



Functions

The EWS sends and receives from above.
It is available in 4 and 6 inch steel.

Operating this station is as easy as any other. To send a carrier, place the carrier into the front loading bay and enter the destination station number. The carrier will be sent in its most direct route. When receiving carriers, carriers will arrive on a cushioned landing behind a secure door.

Stations are designed to be wall mounted.

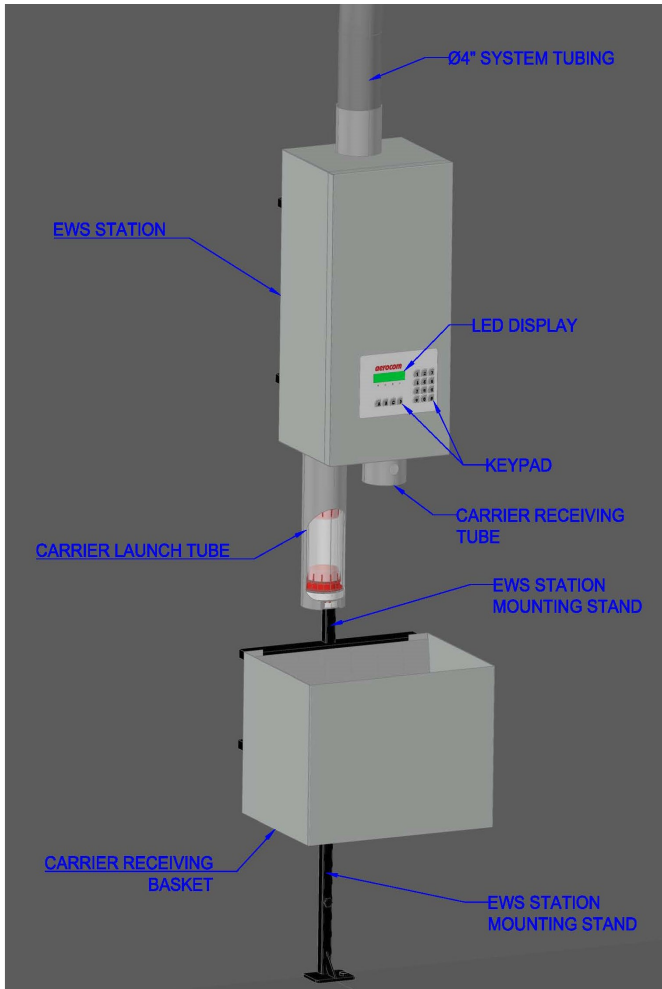
Special Features

Meets ADA Height Standards
RFID Tagging & Tracking
RTLS Compatible (Real Time Locating System)
16 User Signal Alert Programming

Priority Send/Receive Programming
Secure Dispatch
Slow Send for Delicate Samples
LED Keypad with Scrolling Directory

aerocom

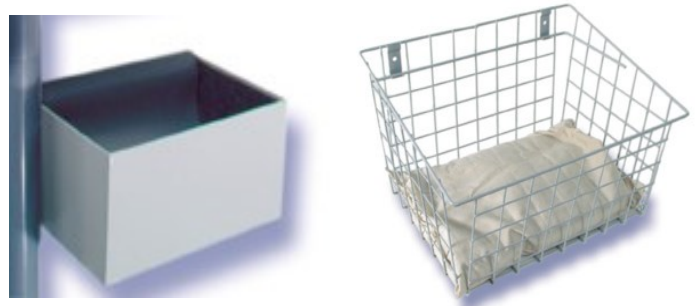
EWS Station Components



LED Display & Key Pad

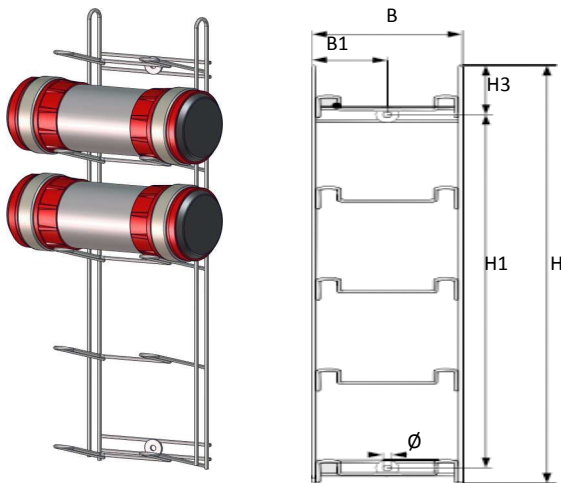


Receiving Baskets (Optional)



Receiving baskets are available in steel (most common for recessed applications) or wire for wall mounted applications.

Chrome Carrier Racks (Optional)



	Ø	B	B1	H	H1	H3
Inches	.28	7.87	3.74	29.13	24.80	4.33

Industrial Grade Servo Motor

EWS Stations use Incremental encoders with servo motors for accuracy and reliability.



- High quality DC motor
- Incremental Encoder
- Less Maintenance and extreme reliability



Aerocom Systems, Inc.
Toll Free: 1-800-231-4156
sales@aerocomusa.com
info@aerocomusa.com

U.S.A. www.aerocom-usa.com
CANADA www.aerocomcanada.ca