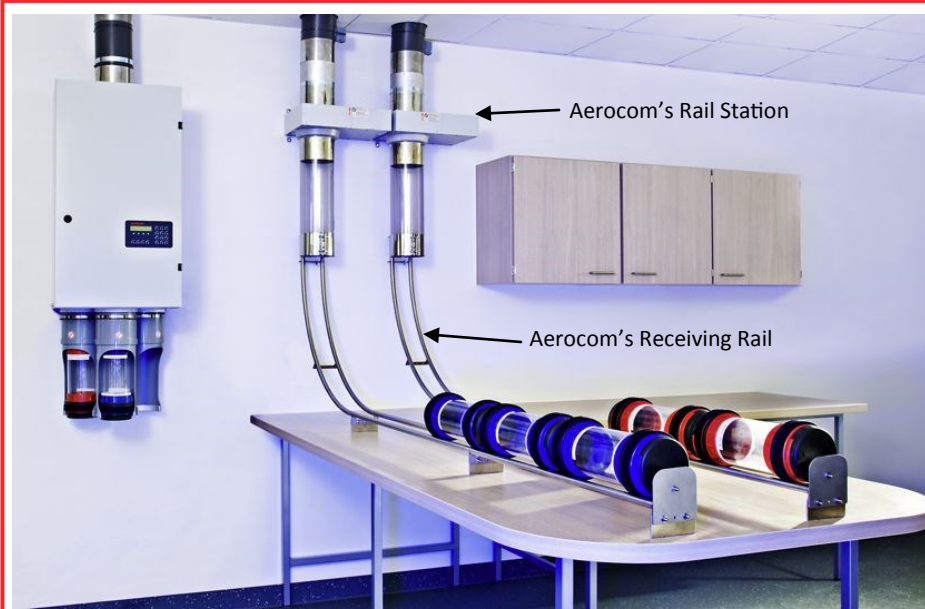


# Aerocom's Rail Station

4" & 6"



## Rail Station Configurations with LED Key Pads



## Laboratory Applications

### Functions

The Rail Station is a receive only station and used in congruence with the Multi Load station for sending.

It receives from above and has rail attachments to accommodate continual receiving.

The Rail Station is available in 4" and 6".

Stations are designed to be wall or counter mounted.

### Special Features

- Powered slide gate closes with airtight seal for soft landing of carrier
- Steel-plate housing, made of Polystyron (non-flammable V0) RAL 7035
- Industrial grade servo motor
- Software-controlled motor driver
- Maintenance-free Teflon- seals



**aerocom**

# Rail Station Components

## LED Display & Key Pad

### Colored LED Indicators

- Red** - System Failed to Accept the Transaction
- Yellow** - System is Busy
- Green** - System has Accepted the Transaction
- Blue** - Arrival Signal

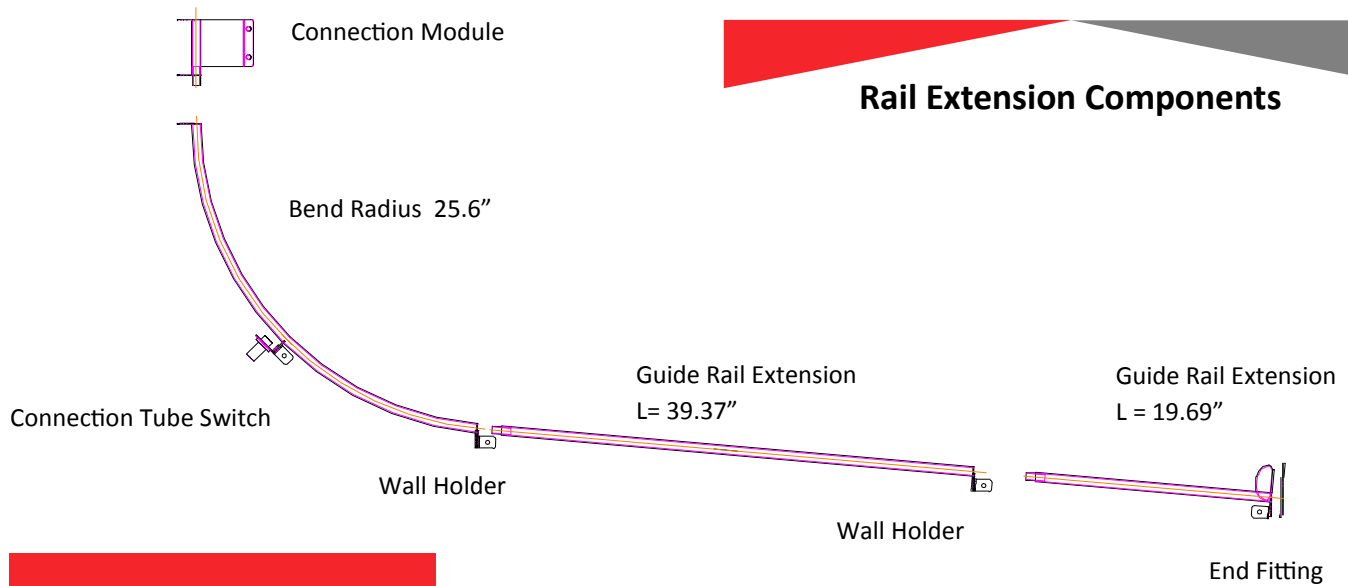


## Industrial Grade Heavy Duty Motor with Proximity Sensors

- High quality DC motor
- Proximity Sensor
- Less Maintenance and extreme reliability



## Rail Extension Components



- **Connection Module**
- **Bend Radius Rail with Tube Switch for carrier recognition**
- **Wall Holder for mounting**
- **Guide Rail Extension—Middle Section 39.37"**
- **Guide Rail Extension End 19.69"**
- **End Fitting for Carrier Stop**

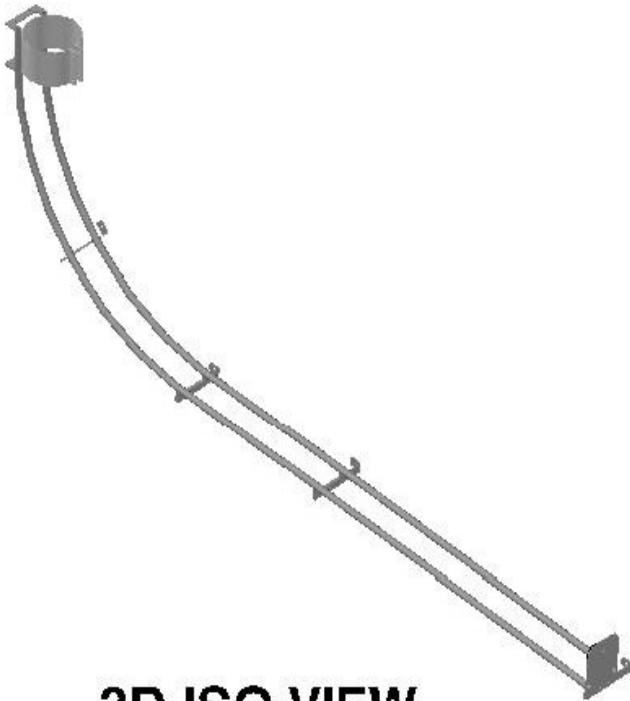
# Rail Station Dimensions 6"

## Technical Data

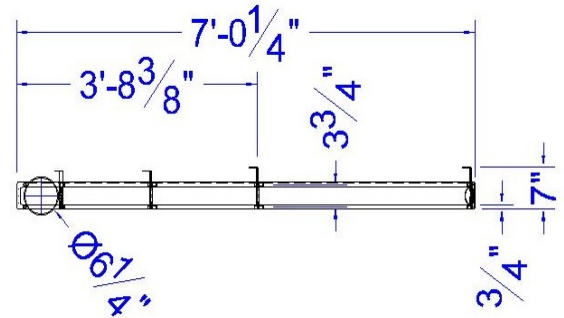
Station Weight 25 lbs  
Carrier Rack 17 lbs  
Rail Extension 5 lbs (ea)

- Steel-plate housing, made of Polystyron (non-flammable V0) RAL 7035
- Industrial grade servo motor with proximity sensors
- Software-controlled motor driver
- Movement by roller bearings
- Maintenance-free Teflon<sup>®</sup>- seals
- Noiseless carrier transit
- Fully-electronic, maintenance-free microprocessor controls

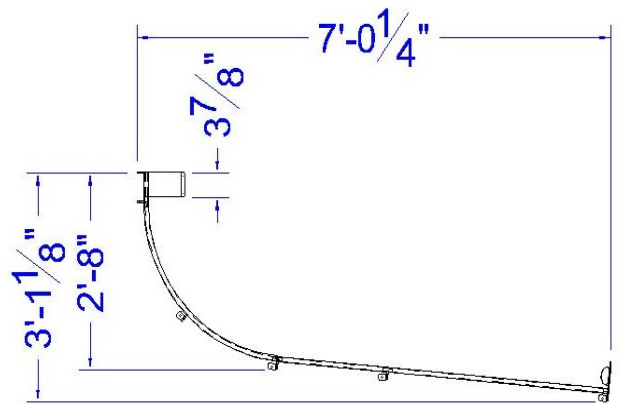
## Rail Extension Dimensions 6"



3D ISO VIEW



TOP VIEW



SIDE VIEW



---

Aerocom Systems, Inc.  
Toll Free: 1-800-231-4156  
sales@aerocomusa.com  
info@aerocomusa.com

U.S.A. [www.aerocom-usa.com](http://www.aerocom-usa.com)  
CANADA [www.aerocomcanada.ca](http://www.aerocomcanada.ca)